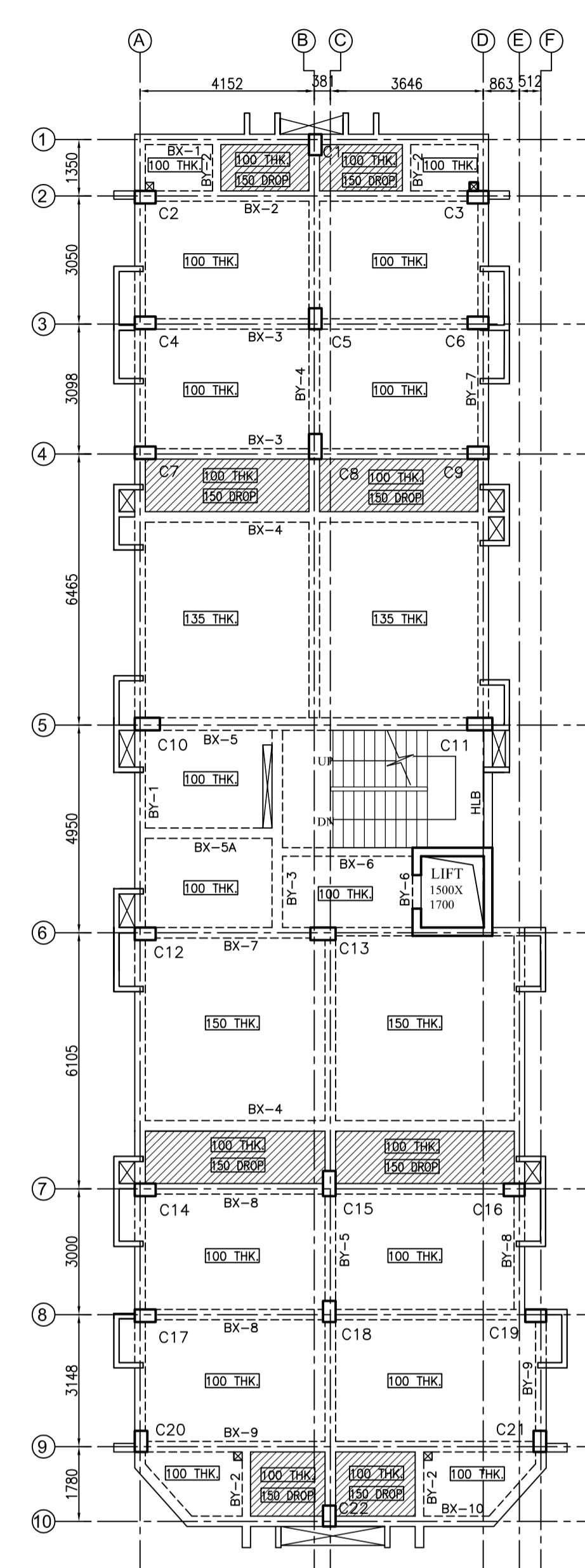
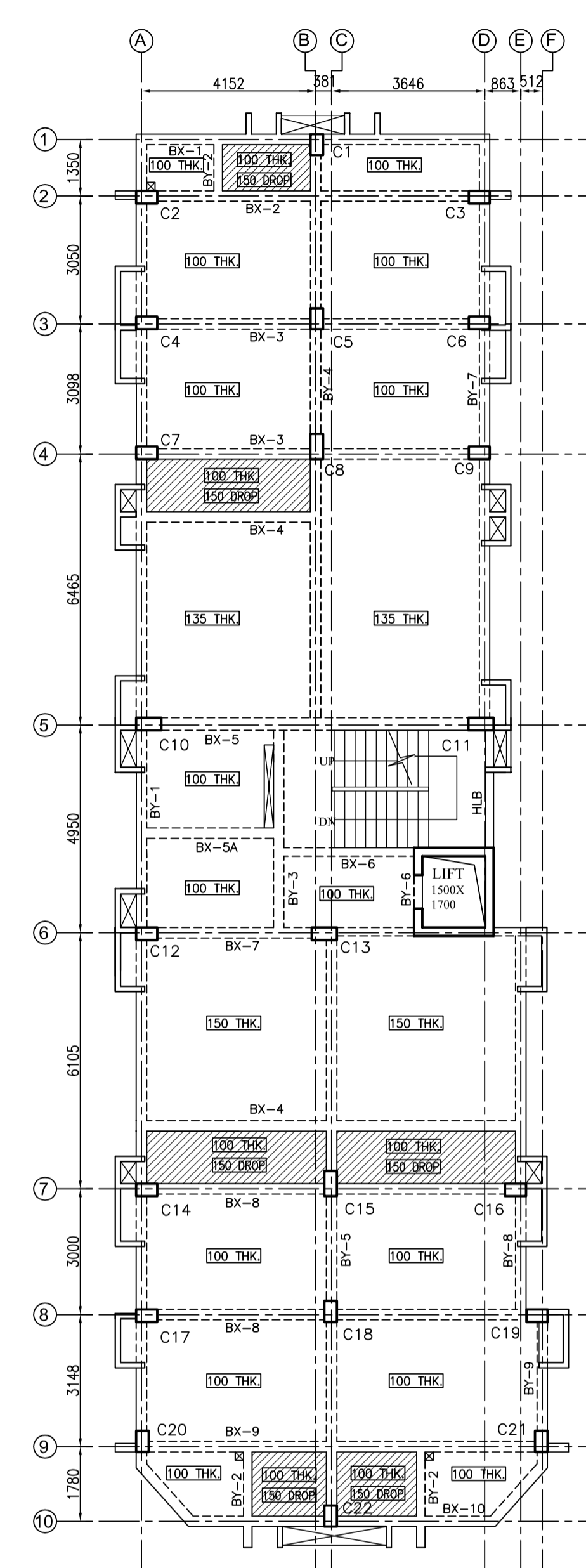


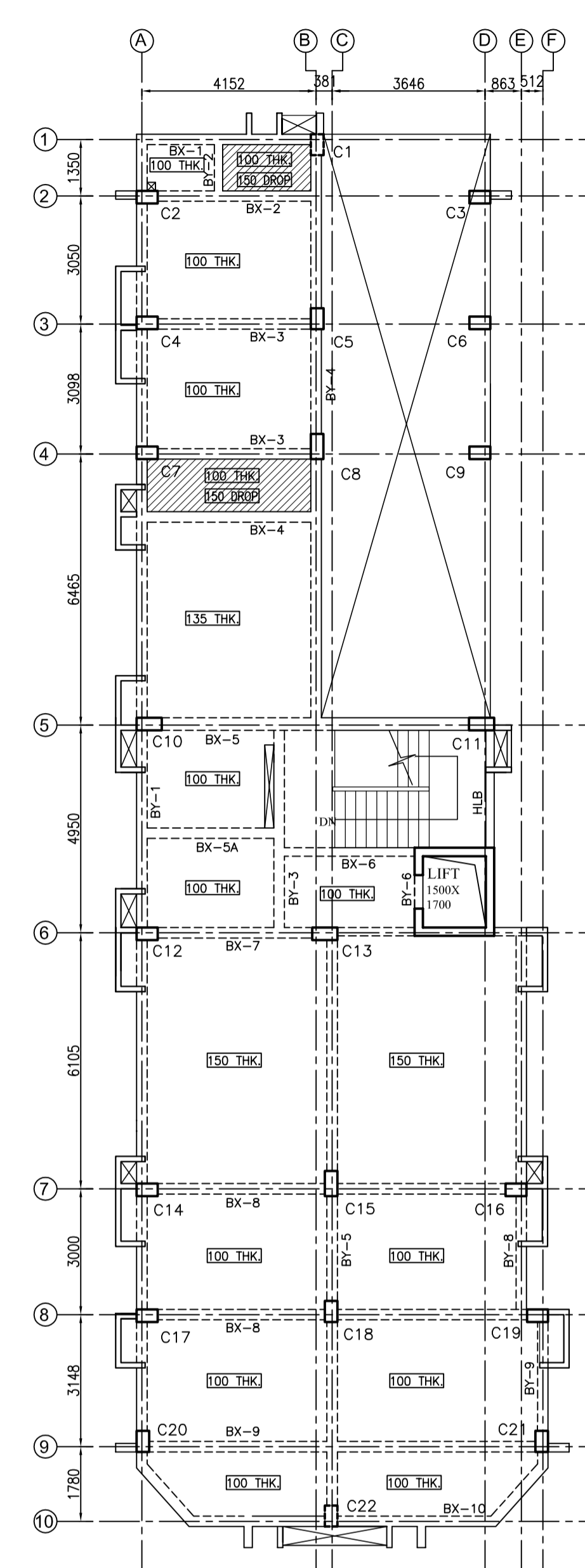
FOUNDATION LAYOUT
SLAB THICKNESS 400mm



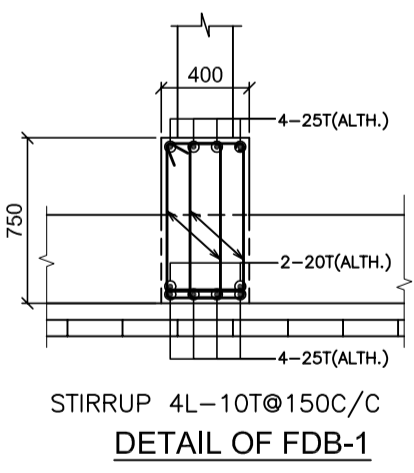
TYPICAL (1ST. TO 3RD) FLOOR BEAM LAYOUT



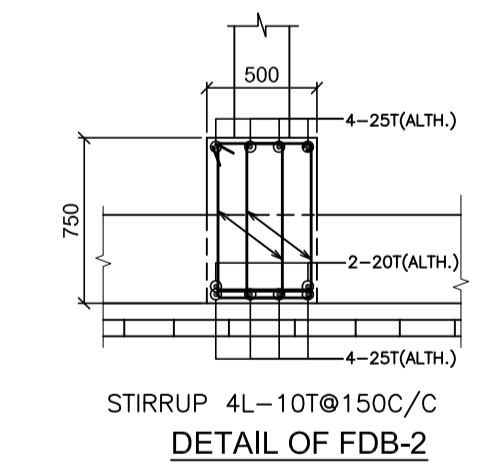
4TH FLOOR BEAM LAYOUT



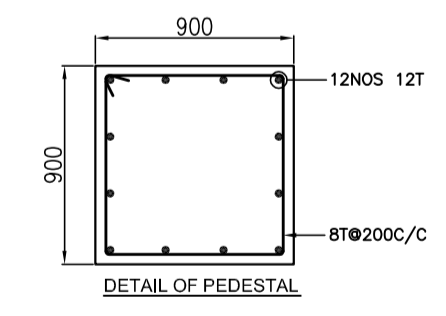
ROOF BEAM LAYOUT



STIRRUP 4L-10@150C/C
DETAIL OF FDB-1



STIRRUP 4L-10@150C/C
DETAIL OF FDB-2



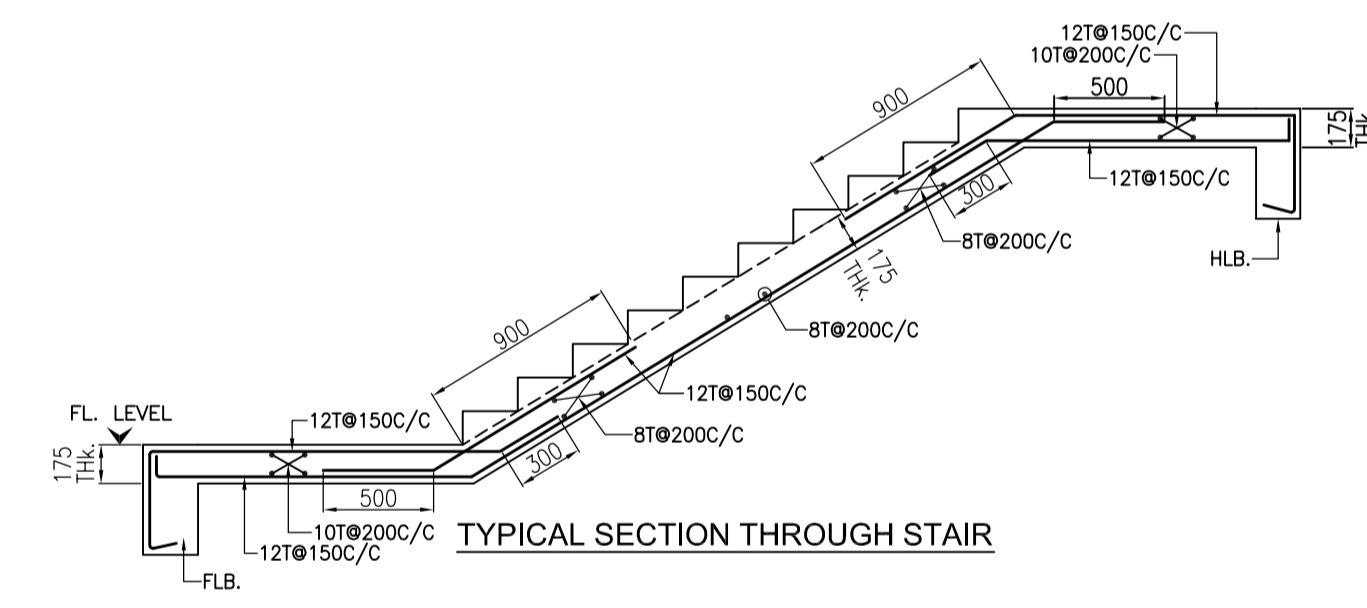
DETAIL OF PEDESTAL

COLUMN SCHEDULE

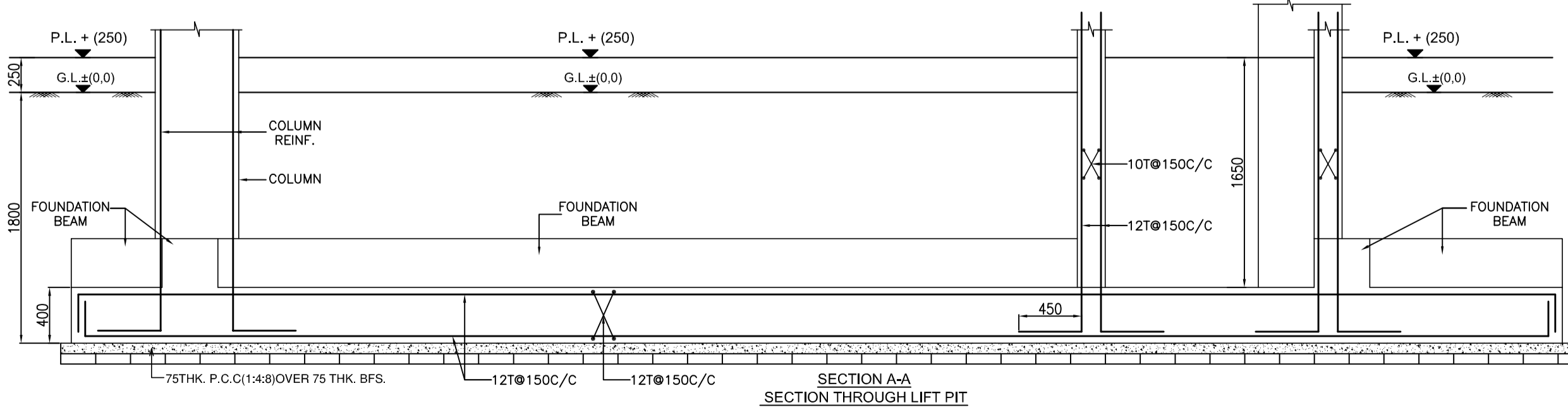
COLUMN MKD.	COL. SIZE	FOUNDATION TO 1ST. FLOOR	1ST. FLOOR TO 2ND. FLOOR	2ND. FLOOR TO 3RD. FLOOR	3RD. FLOOR TO 4TH. FLOOR	4TH. FLOOR TO ROOF	ROOF TO ABOVE ROOF
C1,C22	300x500	10-20T	4-20T+6-16T	10-16T	10-16T	10-16T	
C2,C4,C17,C20	500x300	4-20T+6-16T	4-20T+6-16T	4-20T+6-16T	10-16T	10-16T	10-16T
C3,C6,C7,C9,C12,C14,C16,C19,C21	300x500	10-20T	10-20T	6-20T+4-16T	4-20T+6-16T	10-16T	10-16T
C5,C18	300x500	10-20T	10-20T	10-20T	6-20T+4-16T	4-20T+6-16T	
C8,C13,C15	300x600	12-20T	12-20T	8-20T+4-16T	4-20T+8-16T	12-16T	
C10,C11	600x300	4-25T+8-20T	4-25T+8-20T	12-20T	8-20T+4-16T	8-20T+4-16T	4-20T+8-16T
GRADE OF CONCRETE	M25	M25	M25	M25	M25	M25	
ALL STIRRUP							8 TOR @ 150 C/C

FLOOR SLAB SCHEDULE:-

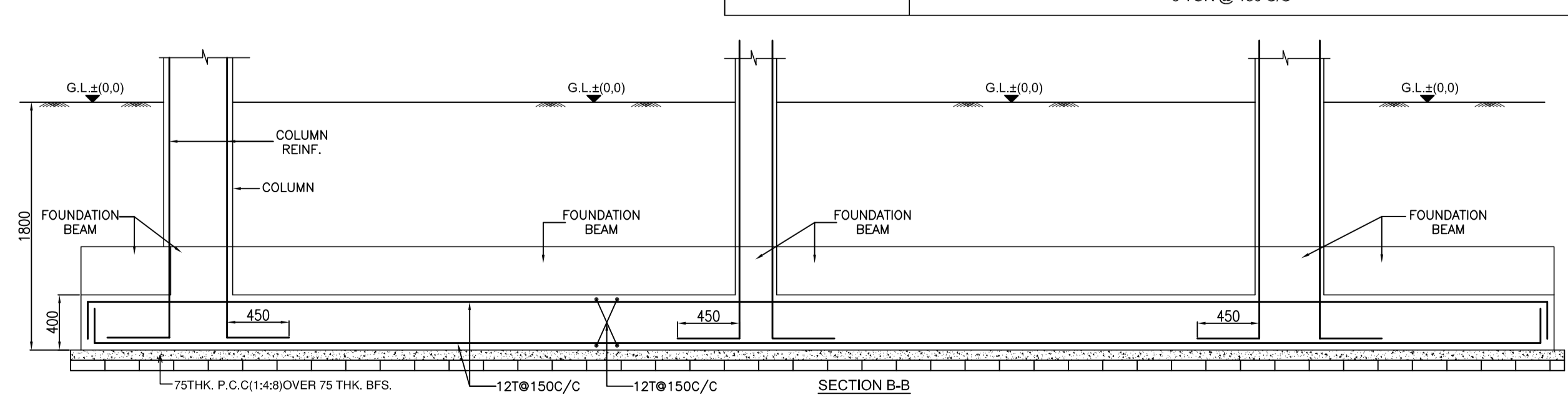
SLAB THK.	SHORTER SPAN		LONGER SPAN	
	SUPPORT TOP	MID SPAN BOTTOM	SUPPORT TOP	MID SPAN BOTTOM
100	8 T @ 150 C/C	8 T @ 200 C/C	8 T @ 150 C/C	8 T @ 200 C/C
135	10 T @ 150 C/C	10 T @ 200 C/C	10 T @ 150 C/C	10 T @ 200 C/C
150	10 T @ 150 C/C	10 T @ 200 C/C	10 T @ 150 C/C	10 T @ 200 C/C



TYPICAL SECTION THROUGH STAIR



SECTION A-A
SECTION THROUGH LIFT PIT



SECTION B-B

TYPICAL FLOOR BEAM SCHEDULE:-

BEAM MKD.	BEAM SIZE	SUPPORT REINFORCEMENT			SPAN REINFORCEMENT		
		TOP	BOTTOM	STIRRUPS	TOP	BOTTOM	STIRRUPS
BX-1	250X500	3-16T+2-16T	3-16T	2L-8T@150 C/C	2-16T	3-16T	2L-8T@200 C/C
BX-2	250X500	3-16T	3-16T	2L-8T@150 C/C	2-16T	3-16T	2L-8T@200 C/C
BX-3	250X500	3-16T+2-16T	3-16T	2L-8T@150 C/C	2-16T	3-16T	2L-8T@200 C/C
BX-4	250X400	3-16T	3-16T	2L-8T@150 C/C	2-16T	3-16T	2L-8T@200 C/C
BX-5	300X500	3-20T+3-20T	3-20T	2L-8T@150 C/C	2-20T	3-20T+3-16T	2L-8T@200 C/C
BX-5A	250X400	2-16T	3-16T	2L-8T@150 C/C	2-16T	3-16T	2L-8T@200 C/C
BX-6	200X400	3-16T	3-16T	2L-8T@150 C/C	2-16T	3-16T	2L-8T@200 C/C
BX-7	250/200 X500	3-20T+3-16T	3-16T	2L-8T@150 C/C	2-20T	3-16T	2L-8T@200 C/C
BX-8	250X500	3-16T+2-16T	3-16T	2L-8T@150 C/C	2-16T	3-16T	2L-8T@200 C/C
BX-9	250X500	3-16T	3-16T	2L-8T@150 C/C	2-16T	3-16T	2L-8T@200 C/C
BX-10	250X500	3-16T+2-16T	3-16T	2L-8T@150 C/C	2-16T	3-16T	2L-8T@200 C/C

TYPICAL FLOOR BEAM SCHEDULE:-

BEAM MKD.	BEAM SIZE	SUPPORT REINFORCEMENT			SPAN REINFORCEMENT		
		TOP	BOTTOM	STIRRUPS	TOP	BOTTOM	STIRRUPS
BY-1	250X500	3-20T+3-16T	3-20T	2L-8T@150 C/C	2-20T	3-20T+2-16T	2L-8T@200 C/C
BY-2	250X300	2-12T	2-12T	2L-8T@150 C/C	2-12T	2-12T	2L-8T@200 C/C
BY-3	250X500	3-16T	3-16T	2L-8T@150 C/C	2-16T	3-16T	2L-8T@200 C/C
BY-4	250X500	3-20T+3-16T	3-20T	2L-8T@150 C/C	2-20T	3-20T+3-16T	2L-8T@200 C/C
BY-5	250X500	3-20T+2-16T	3-20T	2L-8T@150 C/C	2-20T	3-20T+2-16T	2L-8T@200 C/C
BY-6	250X300	2-12T	3-12T	2L-8T@150 C/C	2-12T	3-12T	2L-8T@200 C/C
BY-7	250X500	3-20T+3-16T	3-20T	2L-8T@150 C/C	2-20T	3-20T+2-16T	2L-8T@200 C/C
BY-8	250X500	3-20T+3-16T	3-20T	2L-8T@150 C/C	2-20T	3-20T+2-16T	2L-8T@200 C/C
BY-9	250X500	3-16T+2-16T	3-16T	2L-8T@150 C/C	2-16T	3-16T+2-16T	2L-8T@200 C/C
HLB	200X500	2-20T+2-20T	2-20T	2L-8T@150 C/C	2-20T	2-20T	2L-8T@200 C/C

CERTIFICATE OF THE ARCHITECT:-
CERTIFIED WITH FULL RESPONSIBILITY THAT THE BUILDING PLAN HAS BEEN DRAWN UP AS PER PROVISION OF WEST BENGAL MUNICIPAL & BUILDING RULES, 2007 AS AMENDED FROM TIME TO TIME & THAT THE SITE CONDITION INCLUDING THE WIDTH OF THE ABUTTING ROAD/ COMMON PASSAGE CONFORM WITH THE PLAN.

SUKANYA DASGUPTA
E.B.A. NO - 0692
NAME OF THE ARCHITECT

CERTIFICATE OF THE STRUCTURAL ENGINEER
THE STRUCTURAL DESIGN AND DRAWING OF BOTH FOUR STRUCTURE OF THE BUILDING HAS BEEN PREPARED ALL POSSIBLE LOADS INCLUDING THE SEISMIC LOAD BUILDING CODE OF INDIA & THE FOUNDATION IS CAPABLE TO SUPPORT THE LOAD. CERTIFIED THAT IT IS SAFE AND STABLE IN ALL RESPECT.

BIBEK BIKASH MULLICK
ESE-021, CLASS- I
NAME OF THE STRUCTURAL ENGINEER

ALOK ROY
G.T. ENGG - 008
SIGNATURE OF GEO-TECHNICAL ENGINEER

DETAILS OF POWER OF ATTORNEY
M/S GANGULY HOMESERVICES PRIVATE LIMITED REPRESENTED BY ITS DIRECTOR SRI RUPESH RANJAN PRASAD C.A. OF 1) SRI BIPLAB KUMAR ROY 2) SRI MANAS KUMAR ROY 3) ARPITA ROY 4) ARINA BISWAS 5) SMT. RITA MITTRA 6) SMT. URMIMALA MODAK
NAME OF OWNER

PROJECT:
PROPOSED G+IV STORIED RESIDENTIAL BUILDING AT HOLDING NO-24, MADHYA MAHAMAYA PUR, WARD NO-28, R.S. KHATIAN NO -348, 349, R. S. DAG NO - 1250,1252, J.L.NO. -47, MOUZA - BARHANS FARTABAD, UNDER RAJPUJ SONARPUR MUNICIPALITY, P.S. - NARENDRAPUR, DIST - 24PGS.(S)

CLIENT:
GANGULY GROUP
02, GARIA STATION ROAD
KOLKATA - 700084

ARCHITECT:
SUKANYA & ASSOCIATES
FD-224, SECTOR - III,
SALT LAKE, KOLKATA - 700106

STRUCTURAL CONSULTANT:
P.M.CONSULTANT
STRUCTURAL ENGINEERING CONSULTANT
3A, SIDDHESWARI ROAD,
KOLKATA - 700029.
PHONE- 033-40061123
WEB: https://pmcstructure.wixsite.com/pmcon
Email: pmcstructure@gmail.com, bibekbm@rediffmail.com

TITLE:
FOUNDATION & TYPICAL FLOOR BEAM LAYOUT, COLUMN,BEAM, SLAB SCHEDULE & SECTIONAL DETAILS

SCALE: 1 : 100
DATE : 12.07.22
DRAWN BY : S.P
DEALT BY :
DRG NO. PMC/STRUC/GG-RAIBARI/ST-01
REV :

FOR OFFICE USE